

MICROBLUE[®]

WITH RESERVOIR & DUCTING KIT



3 YEAR WARRANTY

PERFORMANCE

17dba

MAX FLOW	MAX HEAD	MAX LIFT
5 L/ HOUR	5 METRES	2 METRES

The MICROBLUE[®] with reservoir and ducting is one of the smartest and more discrete ways to install the MICROBLUE and sits nicely along side any air-conditioning unit. The ducting kit has been designed to make installation easy and enables you to access the pump, reservoir and insulated pipework when required. The kit is equipped with all fixtures, fittings and spacers that you need.



UNIT
3.5 KW

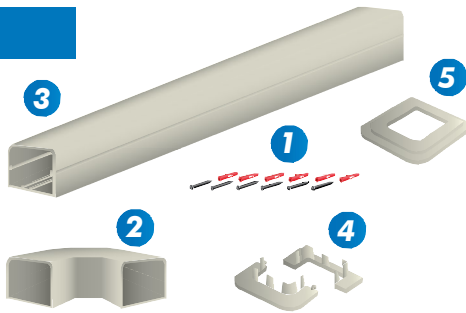
OPTIONS

MICROBLUE[®] pump available in:

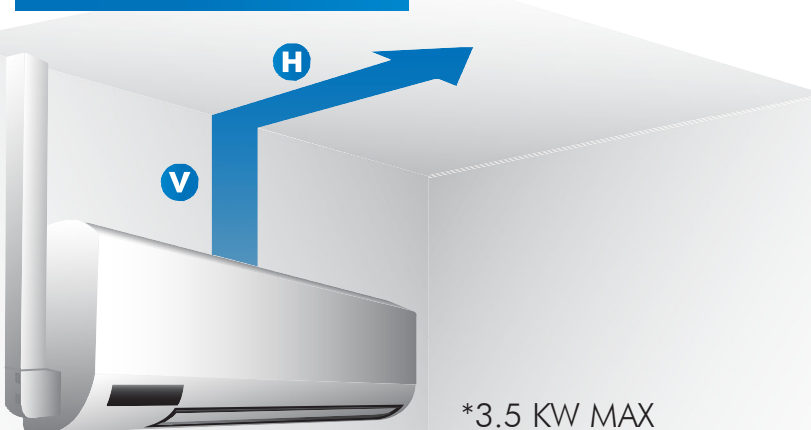
DUCTING KIT	DUCTING KIT
X85-507 (IVORY)	X85-508 (WHITE)
 RAL. 9002	 RAL. 9003

IN THE BOX

1. SCREWS (x6)
2. ELBOW (x1)
3. DUCTING (x1)
4. COLLAR (x1)
5. SPACER (x1)

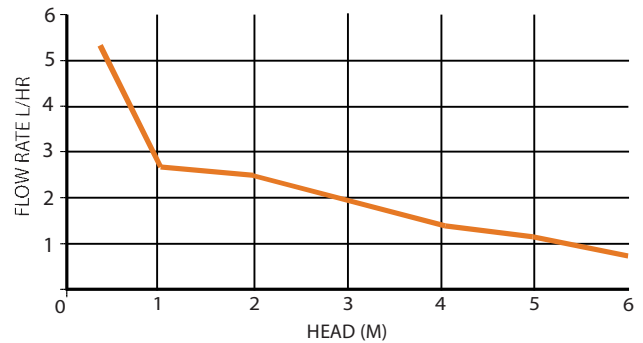


DISCHARGE PIPE RUN

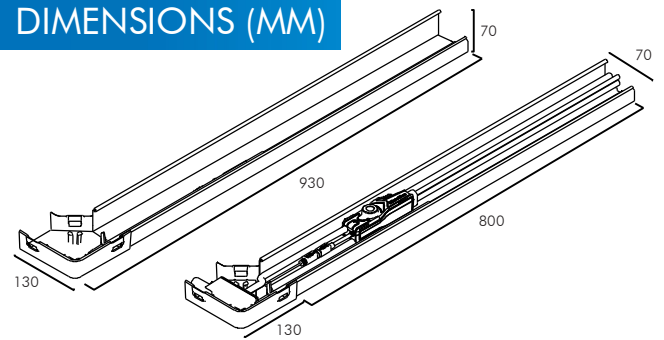


*3.5 KW MAX

PERFORMANCE



DIMENSIONS (MM)



V (VERTICAL)	H (HORIZONTAL)
5 M	0 M
4 M	3 M
3 M	6 M
2 M	9 M
1 M	12 M

The MICROBLUE[®] can be mounted in any orientation up to 2m away from the air conditioning unit.